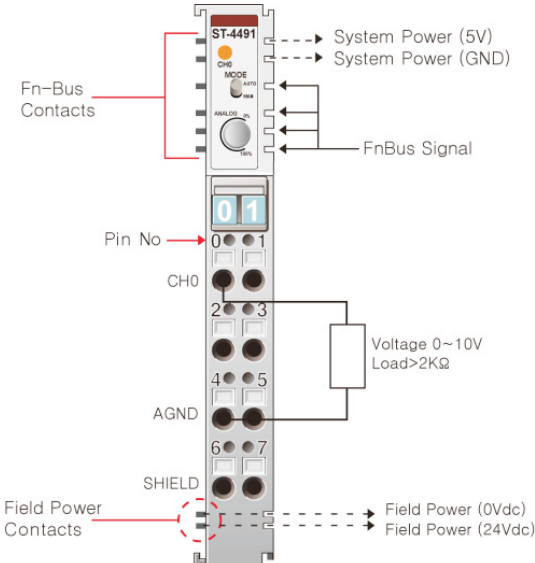


ST-4491(Manual Type)

0~10Vdc, 1 Channel, Voltage, 12bit



Item		ST-4491
Output Specification		
Output Per Module		1 Channel Single Ended
Indicators		1 Green/Red Fn-Bus State
Resolution in Ranges		12Bits : 2.44mV/Bit
Output Current Range		0~10Vdc
Data Format		16bits Integer (2' compliment)
Module Error		± 0.1% Full Scale @25 °C ± 0.3% Full Scale @-20 °C , 60 °C
Load Resistance		Min. 2KΩ
Conversion Time		1.2msec/All channel
Calibration		Not Required
Diagnostic		No
Common Type		2 Common/Module
General Specification		
Power Dissipation		Max. 60mA@5.0Vdc
Isolation		I/O to Logic : Photocoupler Isolation Not used, Field Power by pass to next expansion module
Wiring		I/O Cable Max. 2.0mm (AWG#14)
Weight		70g
Module Size		12mm x 99mm x 70mm
Environment Condition		Refer to " Environment Specification"(page : 1-191)
Pin No.		
		Description
0		Output Channel 0
1		No Connection
2		No Connection
3		No Connection
4		AGND
5		AGND
6		Shield
7		Shield
-		-
-		-
-		-
-		-
-		-
-		-
-		-
-		-
-		-
-		-
-		-
-		-
-		-
-		-